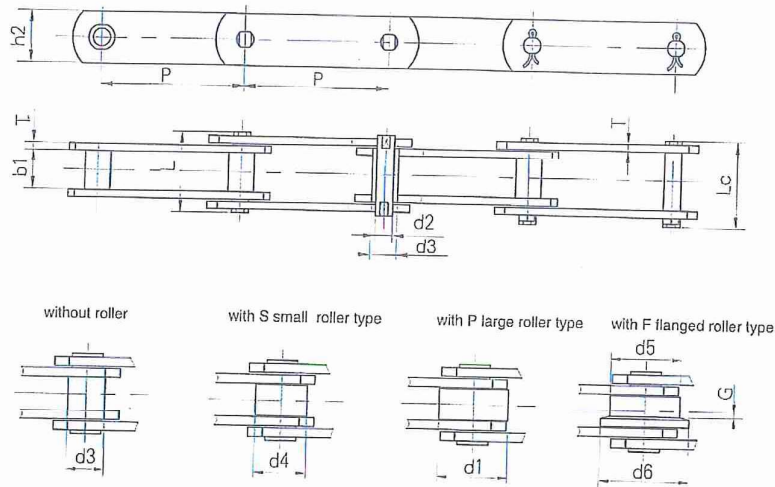


# Ketting Import Mij. BV - SPECIFICATION -

## - conveyor chain FV series -



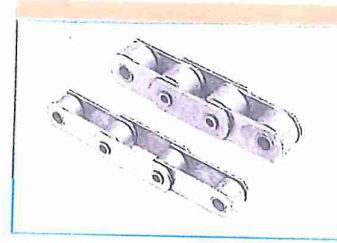
| Chain No. | Pitch |       |       |       |       |       | Roller dimension |        |        |        |      | Bush diameter |      |
|-----------|-------|-------|-------|-------|-------|-------|------------------|--------|--------|--------|------|---------------|------|
|           | P     |       | P     |       | P     |       | d1 max           | d4 max | d5 max | d6 max | G    | d3 max        |      |
|           | mm    | mm    | mm    | mm    | mm    | mm    | mm               | mm     | mm     | mm     | mm   | mm            |      |
| FV40      | 50.0  | 63.0  | 80.0  | 100.0 | 125.0 |       | 32.0             | 20.0   | 40.0   | 50.0   | 4.0  | 15.0          |      |
| FV63      | 63.0  | 80.0  | 100.0 | 125.0 | 160.0 |       | 40.0             | 26.0   | 50.0   | 63.0   | 5.0  | 18.0          |      |
| FV90      | 63.0  | 80.0  | 100.0 | 125.0 | 160.0 | 200.0 | 250.0            | 48.0   | 30.0   | 63.0   | 78.0 | 6.5           | 20.0 |
| FV112     | 100.0 | 125.0 | 160.0 | 200.0 | 250.0 |       | 55.0             | 32.0   | 72.0   | 90.0   | 7.5  | 22.0          |      |
| FV140     | 100.0 | 125.0 | 160.0 | 200.0 | 250.0 |       | 60.0             | 36.0   | 80.0   | 100.0  | 9.0  | 26.0          |      |
| FV180     | 125.0 | 160.0 | 200.0 | 250.0 | 315.0 |       | 70.0             | 42.0   | 100.0  | 125.0  | 13.0 | 30.0          |      |
| FV250     | 160.0 | 200.0 | 250.0 | 315.0 | 400.0 |       | 80.0             | 50.0   | 125.0  | 155.0  | 15.0 | 36.0          |      |
| FV315     | 160.0 | 200.0 | 250.0 | 315.0 | 400.0 |       | 90.0             | 60.0   | 140.0  | 175.0  | 18.0 | 42.0          |      |

| Chain No. | Width between inner plates | Pin diameter | Pin length |       | Plate depth | Plate thickness | Ultimate tensile strength |
|-----------|----------------------------|--------------|------------|-------|-------------|-----------------|---------------------------|
|           | b1                         | d2           | L          | Lc    | h2          | T               |                           |
|           | min                        | max          | min        | max   | max         | max             | Q min                     |
|           | mm                         | mm           | mm         | mm    | mm          | mm              | kN/LB                     |
| FV40      | 18.0                       | 10.0         | 36.0       | 39.0  | 25.0        | 3.0             | 40.0/9091                 |
| FV63      | 22.0                       | 12.0         | 45.0       | 48.5  | 30.0        | 4.0             | 63.0/14317                |
| FV90      | 25.0                       | 14.0         | 53.0       | 56.5  | 35.0        | 5.0             | 90.0/20453                |
| FV112     | 30.0                       | 16.0         | 62.0       | 66.0  | 40.0        | 6.0             | 112.0/25452               |
| FV140     | 35.0                       | 18.0         | 67.0       | 71.5  | 45.0        | 6.0             | 140.0/31815               |
| FV180     | 45.0                       | 20.0         | 86.0       | 92.0  | 50.0        | 8.0             | 180.0/40908               |
| FV250     | 55.0                       | 26.0         | 97.0       | 103.5 | 60.0        | 8.0             | 250.0/56817               |
| FV315     | 65.0                       | 30.0         | 113.0      | 126.5 | 70.0        | 10.0            | 315.0/71591               |
|           |                            |              |            |       |             |                 | 480.0/109089              |

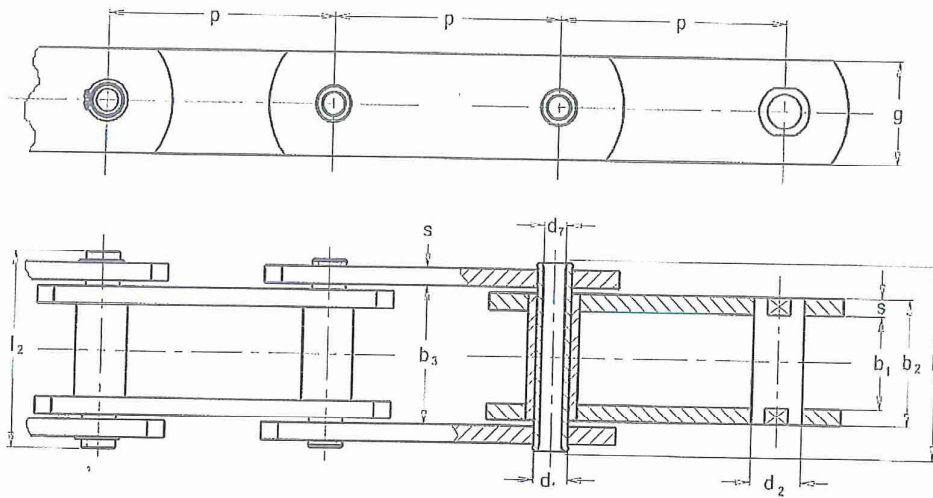
\*Q Higher breaking load with hardened plates

# KETTING IMPORT MIJ. BV

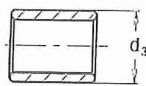
**Förderketten** - mit Hohlbolzen nach DIN 8165  
**Conveyor chains** - with hollow pins to DIN 8165



Illustrated: Type B - without rollers •

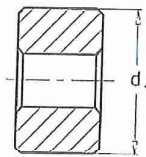


Rollers •



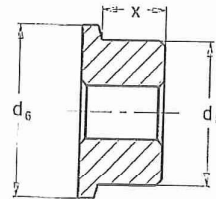
Typ S

Small roller



Typ P

Plain roller



Typ F

Flanged roller

| ISO Nor.<br>ISO Nr.<br>ISO St.<br>Cr. ISO | p<br>mm |     | b <sub>1</sub><br>mm<br>min | b <sub>2</sub><br>mm<br>max | b <sub>3</sub><br>mm<br>min | d <sub>1</sub><br>mm | d <sub>2</sub><br>mm<br>B | d <sub>3</sub><br>mm<br>S | d <sub>4</sub><br>mm<br>P | d <sub>5</sub><br>mm<br>F | d <sub>6</sub><br>mm<br>F | d <sub>7</sub><br>mm | x<br>mm | l <sub>1</sub><br>mm<br>max | l <sub>2</sub><br>mm<br>max | g<br>mm | s<br>mm | f<br>mm <sup>2</sup> | F <sub>B</sub><br>kN<br>min. | F <sub>A</sub><br>kN |     |    |    |      |     |       |
|---|---------|-----|-----------------------------|-----------------------------|-----------------------------|----------------------|---------------------------|---------------------------|---------------------------|---------------------------|---------------------------|----------------------|---------|-----------------------------|-----------------------------|---------|---------|----------------------|------------------------------|----------------------|-----|----|----|------|-----|-------|
| *FVC 63                                   | 50      | 63  | 80                          | 100                         | 125                         | 160                  | 200                       | -                         | 22                        | 30,5                      | 31,0                      | 12                   | 18      | 26                          | 40                          | 50      | 60      | 8,2                  | 15,5                         | 46                   | 55  | 30 | 4  | 366  | 46  | 6,57  |
| *FVC 90                                   | 50      | 63  | 80                          | 100                         | 125                         | 160                  | 200                       | 250                       | 25                        | 35,5                      | 36,0                      | 14                   | 20      | 30                          | 48                          | 63      | 73      | 10,2                 | 18,5                         | 53                   | 62  | 35 | 5  | 497  | 55  | 7,85  |
| FVC 112                                   | 80      | 100 | 125                         | 160                         | 200                         | 250                  | 315                       | -                         | 30                        | 42,5                      | 43,0                      | 16                   | 22      | 32                          | 55                          | 72      | 87      | 11,2                 | 22,0                         | 63                   | 72  | 40 | 6  | 680  | 78  | 11,14 |
| FVC 140                                   | 80      | 100 | 125                         | 160                         | 200                         | 250                  | 315                       | 400                       | 35                        | 47,5                      | 48,0                      | 18                   | 26      | 36                          | 60                          | 80      | 95      | 12,2                 | 26,0                         | 68                   | 80  | 45 | 6  | 855  | 105 | 15,00 |
| FVC 180                                   | -       | 100 | 125                         | 160                         | 200                         | 250                  | 315                       | 400                       | 45                        | 61,5                      | 62,5                      | 20                   | 30      | 42                          | 70                          | 100     | 120     | 14,3                 | 35,0                         | 86                   | 100 | 50 | 8  | 1230 | 118 | 16,85 |
| FVC 250                                   | -       | -   | 125                         | 160                         | 200                         | 250                  | 315                       | 400                       | 55                        | 72,0                      | 73,0                      | 26                   | 36      | 50                          | 80                          | 125     | 145     | 18,3                 | 42,0                         | 98                   | 114 | 60 | 8  | 1870 | 206 | 29,42 |
| FVC 315                                   | -       | -   | 125                         | 160                         | 200                         | 250                  | 315                       | 400                       | 65                        | 86,0                      | 87,0                      | 30                   | 42      | 60                          | 90                          | 140     | 170     | 20,3                 | 50,0                         | 117                  | 133 | 70 | 10 | 2580 | 290 | 41,42 |

Pins not flatted

## SPECIFICATIEBLAD